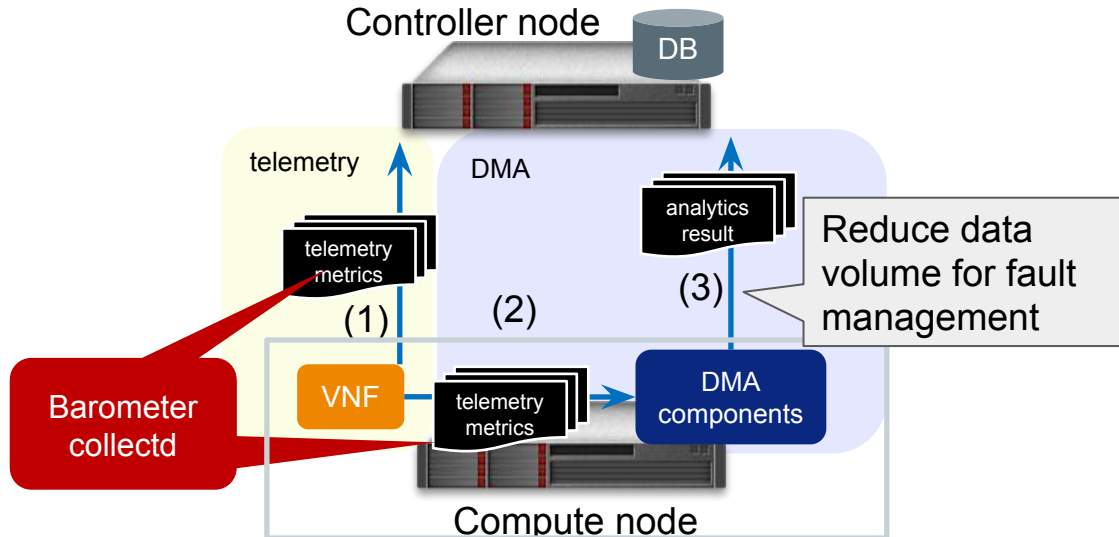


Distributed Monitoring and Analytics (DMA)

DMA puts monitoring/analytics feature inside compute nodes for fast detection of silent failure or VNF symptom, co-existing current telemetry system (ceilometer and so on) to enable fine-grained/scalable monitoring. DMA also utilizes OPNFV/Barometer (e.g. collectd) and DMA also puts dma-agents into Barometer



(1): Current telemetry sends the metrics to controller (or manager) as usual telemetry

(2): DMA collects more metrics (e.g. with shorter interval) and evaluate/analyze inside compute node

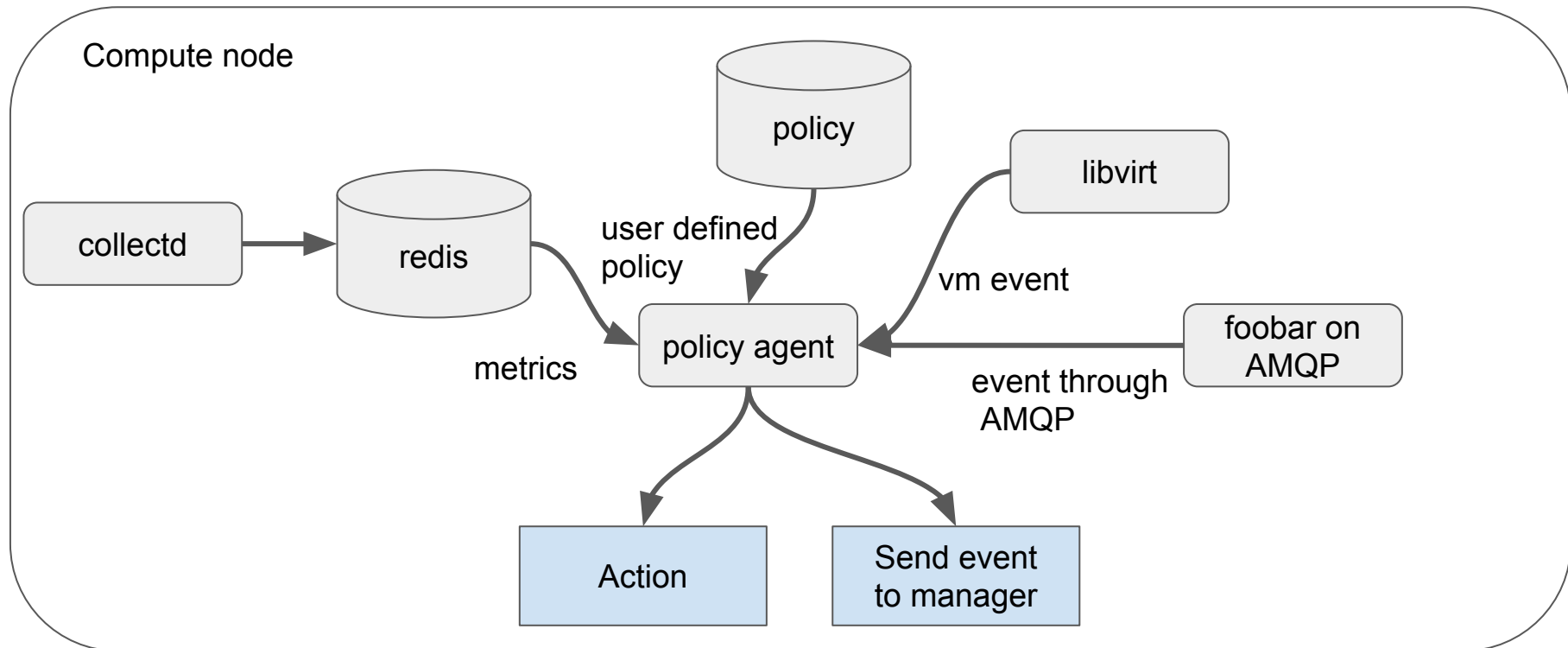
(3): Once DMA detects some event (e.g. micro burst/memory leak), DMA notify to controller node

Local-agent

Local-agent sits on compute node and does followings:

- Receives request from orchestrator/operator and changes collectd configs
 - already implemented
- Annotate collectd metrics with OpenStack information
 - already implemented
 - collectd only get the libvirt metrics, without OpenStack VM name/network name
 - plan to bring this info to controller side (TBD)
- [new] Watch metrics/events and some action based on policy
 - Watch metrics data stored in redis periodically and watch libvirt events, it provides some action
 - e.g. watch VM memory usage and enforce to reset when mem usage is over threshold

Policy diagram



Current State:

- Design the architecture/component
 - Policy Syntax
 - Target metrics/events

We'd like to ask you to:

- Join the discussion (or review the design)
 - Having bi-weekly (or less?) sync-up?