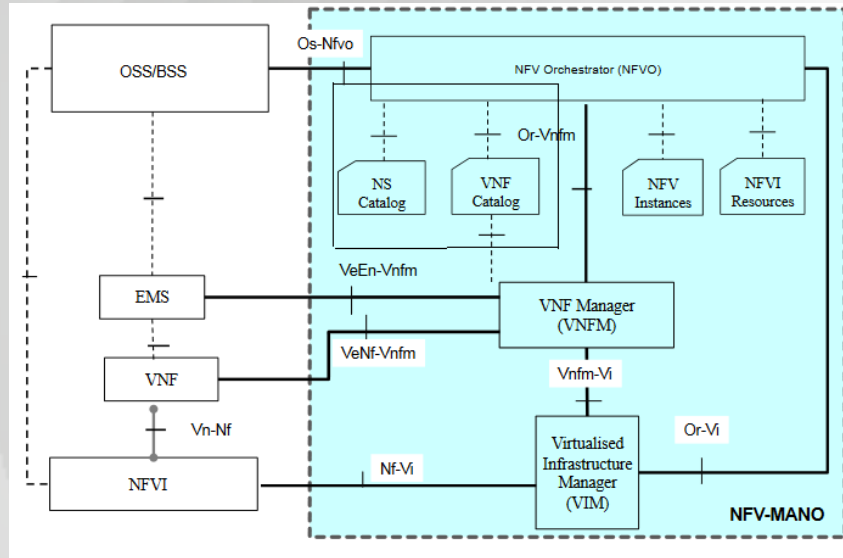




Catalog for OPNFV

Prakash
Ramchandran
Futurewei
Technologies Inc.

Where is 'Catalog' in NFV Reference Architecture

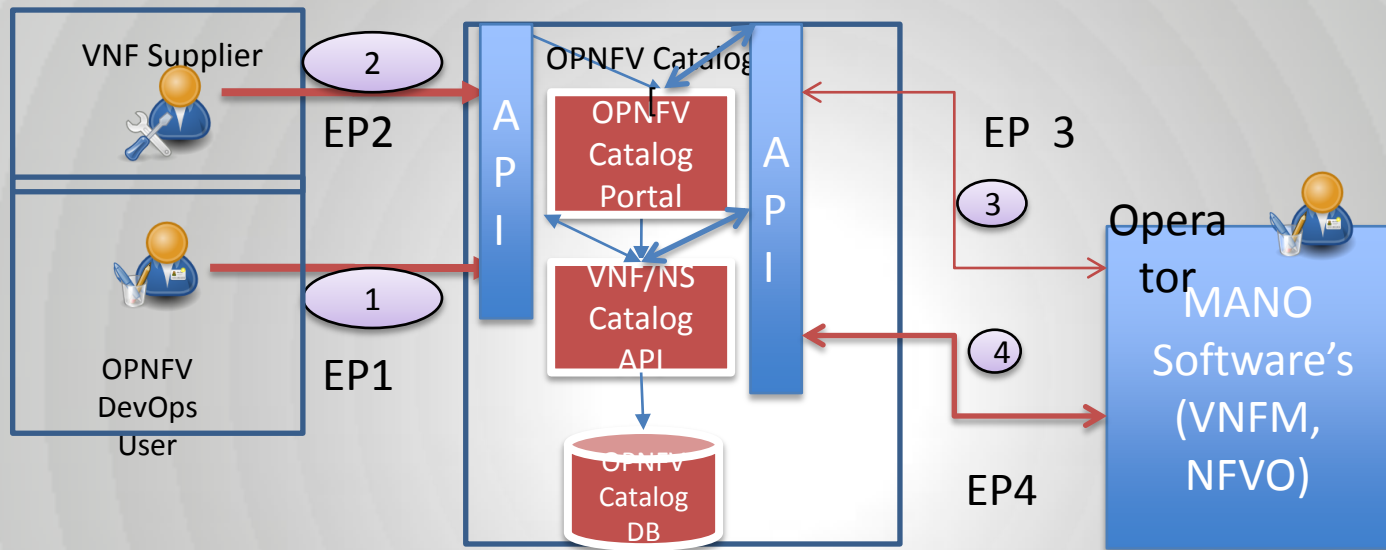


- Currently the MANO projects do not have a common OPNFV Catalog to register and use the same across different VNFM, NFVO's for both Providers and Vendors. Most projects in OPNFV have been using CI/CD artifacts library in Build or using OpenStack Glance catalog, which ties to VIM. However both are embedded into OpenStack and users of MANO Stack as per ETSI NFV reference as well OPNFV Top-down architecture review leads to a simple registration and use of it by Provider, Vendors and DevOps teams. Refer to NS & VNF Catalog and associatedx

VNF and NS Catalog use cases

- Use case VNF Catalog
 - 1. VNF (Component) Catalog: This will require ability to manage OPNFV registered components for Provider and Vendor use, based on flags. Registration API will need to support few minimal attributes and associated Tables in Catalog database such as:
 - VNF Artifact name, VNF Artifact ID, VFN Format (eg. CSAR etc), Other Meta Data like
 - a. owner flag {(Provider(T), vendor(F)) , ID}
 - b. private flag {private(T), public(F)}, owner ID}
 - c. License flag {(free, licensed), license ID}
 - Additionally "catalog" will be require support to NFVO and VNFM to manage their cataloging needs through common (CRUD) RESTful API calls using JSON formats.
- Use case Network Service(NS) Catalog
 - 2. Network Service(NS) Catalog - This will require ability to manage CRUD of OPNFV registered Network Services(NS) for Providers and Vendors. Registration API will need to support few minimal attributes and associated Tables in catalog database. The catalog may refer to for NS Descriptors (YAML / JSON) Configuration file such as:
 - NS name, ,NS Descriptor (eg. YANG etc), NS Artifact ID and Other Meta Data like
 - a. owner flag {(Provider(T), vendor(F)) , ID}
 - b. private flag {private(T), public(F)}, owner ID}
 - c. License flag {(free, licensed), license ID}
 - Additionally "catalog" will be required to support to NFVO and VNFM to manage their cataloging needs through common (CRUD) RESTful API calls using JSON formats.

VNF/NS Catalog for OPNFV MANO Stack



VNF / NS Catalog on-boarding (refer Flow for End Points EP1,2,3,4 on next slide)

VNF Catalog (On-boarding Flow)

- 1, After packaging the VNF, a VNF Supplier can upload packages onto OPNFV Catalog either via:
 - 1 OPNFV APIs or automatically upload via Catalog CLI ;
 - or
 - 2 Manually upload package through Catalog portal
2. OPNFV Catalog exposes the Catalog API to invoke the VNF on-boarding workflow to realize the on-boarding OPNFV VNF or NS for the requested VNF package, including runtime auto test and validation of all specified

Security use case for Security-WG

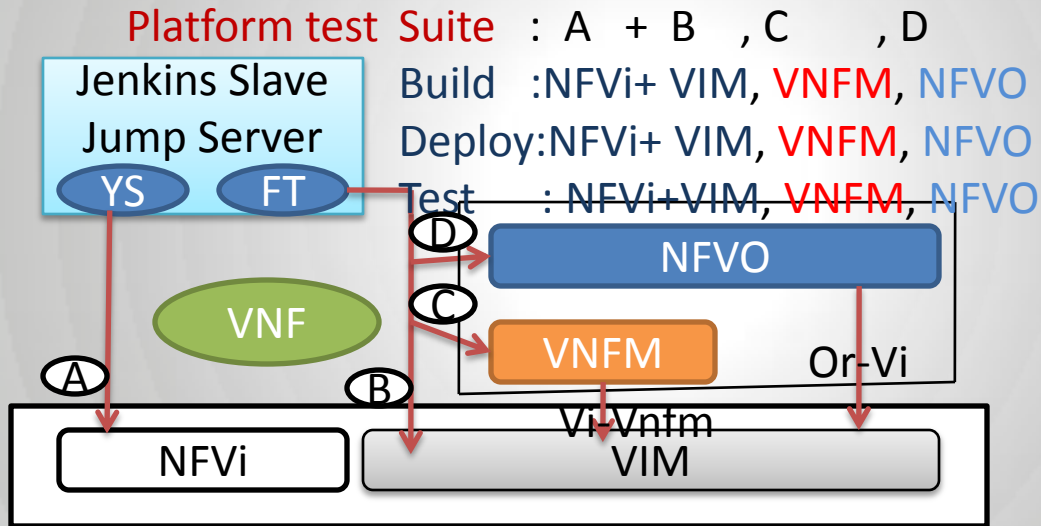
- DevOps Catalog
- 3. Any project that requires pre-install and post-installer support to expose any feature must register with DevOps Catalog to support security scanning and badge compliance in OPNFV. This is especially true for Installers and Feature projects that try use artifacts that are sourced after the CI build process.
- This applies to most installer processes, and we need to bring some process and Catalog can be a good place if accepted by all Installers and Security Scan projects. This will need arriving and consensus across OPNFV projects.
- However this may require more analysis and co-ordination efforts with Security-WG. But this is not a stopper for use case 1 and 2 related to MANO co-ordination efforts.

Do we need a Project to handle Catalog?

- Since we have Domino for Template Distribution and Parser for Template Translation.
- On the same line do we need Catalog for the 2 or 3 uses cases mentioned for MANO integration?
- Also do we need to use Catalog for Market Place for VNF Vendors a separate view point.
- Thus Catalog management and VNFM and NFVO integration may suggest a possible gap for Catalog in OPNFV.
- Are there any takers if it's considered need by community efforts?

Opera lacks C &D (FT-C/FT-D) /Catalog

- C – Test Suite for VNFM (FT-C)
- D -- Test Suite for NFVO (FT-D)



Questions?

- Web site : <https://www.opnfv.org/>
- Wiki page: <https://wiki.opnfv.org>